



SIT 4

ENT patient chair. The original.

**otopront**<sup>®</sup>



Robust, folding  
armrests

## SIT 4 – Form and function

The **'SIT 4' ENT examination and treatment chair** combines clean design with full functionality and ergonomics – the result of elaborated design and 15 years of continuous development. With its sophisticated features, it presents itself as a stylish multifunction chair.

Many functions can be electrically operated, optionally by remote control.

The use of high quality materials combined with precision workmanship and reinforced heavy-duty components ensure the durability of the SIT 4, even under the most demanding day-to-day conditions in hospitals and practices.

See page 15 for an overview of all basic and optional features.



# Optimal position

One special feature of the SIT 4 is the **telescopic column** which is **angled forwards**: when the chair is raised, it automatically positions the patient closer to the practitioner, ensuring better access to the patient.

For the examination of children or work that requires the practitioner to stand, the

SIT 4 comes with an optional triple telescopic cylinder and up to 30 cm height adjustment for the seat.

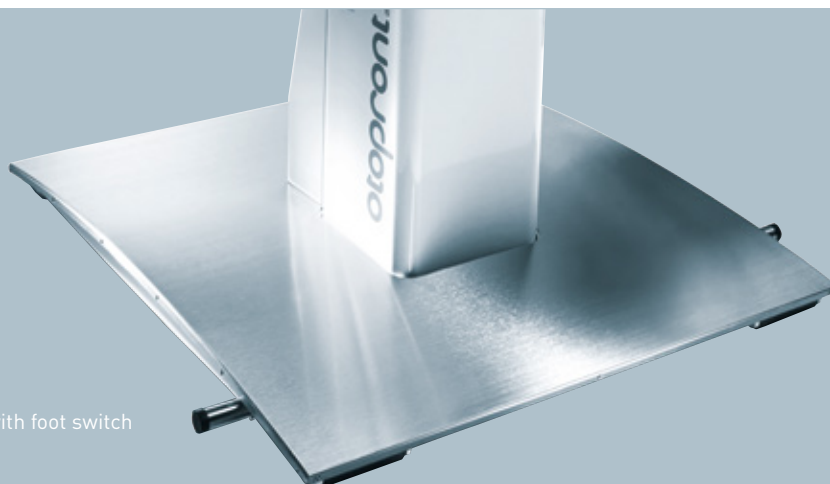
The height can be conveniently adjusted using the foot switches integrated into both sides of the base plate. Further options available are an external foot pedal or remote control.



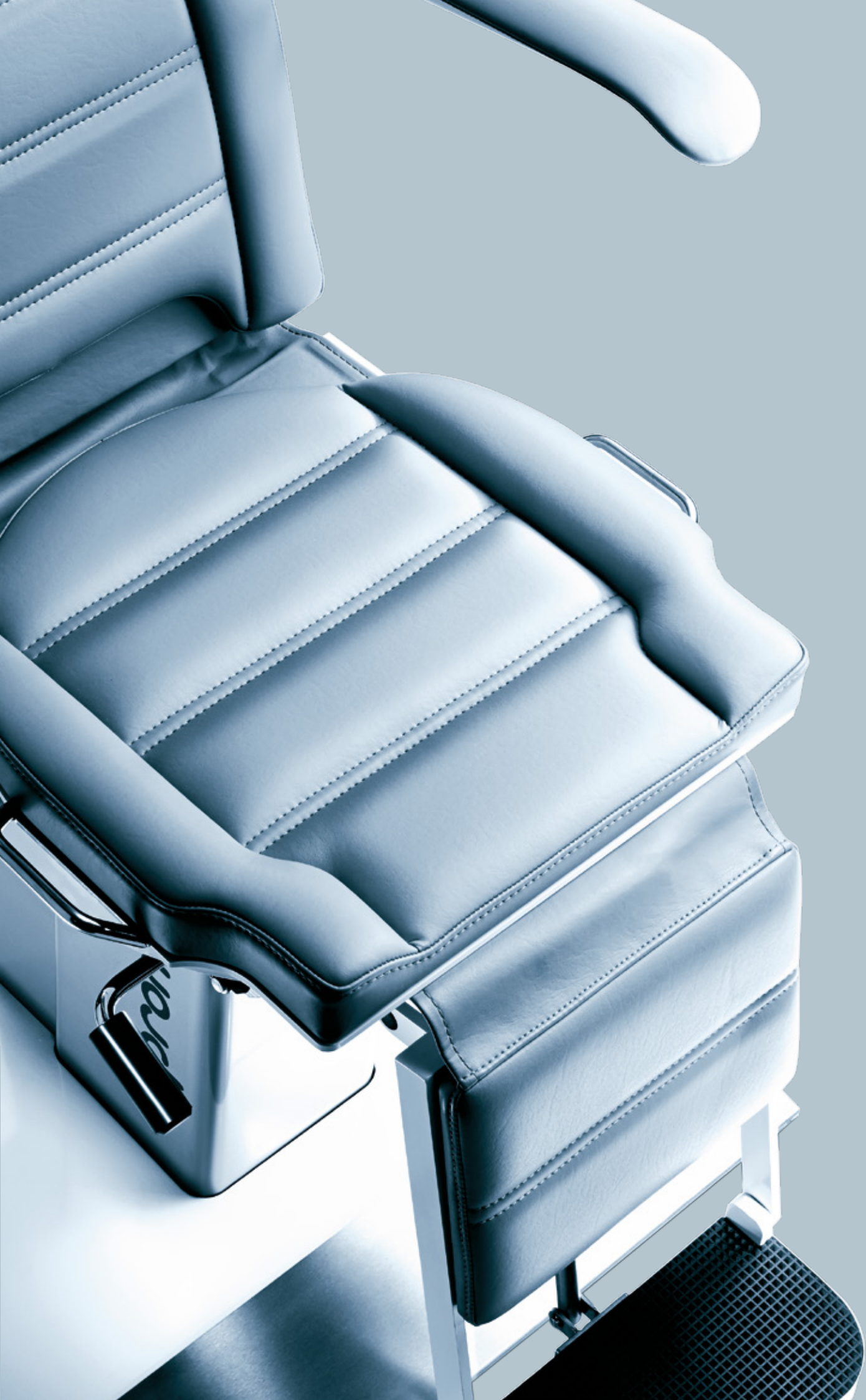
Standard telescope with 20-cm stroke



Optional: 30-cm telescopic column



Stainless steel base with foot switch



## Comfortable sitting and reclining position

While the backrest of the SIT 4 is adjusted, the armrests and legrest simultaneously follow the chair's sequence of movement until it reaches a completely horizontal position thus ensuring perfect support and patient comfort. In case of a collapsing patient the backrest can quickly be brought into the  $-10^{\circ}$  Trendelenburg position.



Because of the synchronous movement of armrests and legrest during adjustment of the backrest, the patient is continuously in a comfortable and anatomically optimal position. The footrest, likewise synchronised, can be folded up separately if necessary, to ensure that the calves have proper contact with the chair.



The SIT 4 allows for quick adjustment into the shock position, with the head placed lower than the rest of the body. Floor anchoring is not generally required, but is available upon request and for special requirements.



## Patient friendly

Folding armrests provide easy access for immobile patients



## Swivel function

The SIT 4 is smoothly rotatable by 360°, equipped with a 90° detent and a locking brake, allowing quick and precise adjusting of each position. Optionally the rotation can be operated by an electric motor (by foot pedal or remote control) up to 180° clockwise or counterclockwise.

The version with an independent seat swivel with 90° detents enables rapid changes of the patient's position and better access to the patient's ear. See below.

## Pendulum chair

The SIT 4 pendulum chair performs various pendulum procedures. These work by remote control. The program-controlled electric motor can carry out a series of such procedures (5, 10, 20 s) and has a freely programmable interface.



Choice of separate foot switch or remote control



Starting position



90° anticlockwise rotation



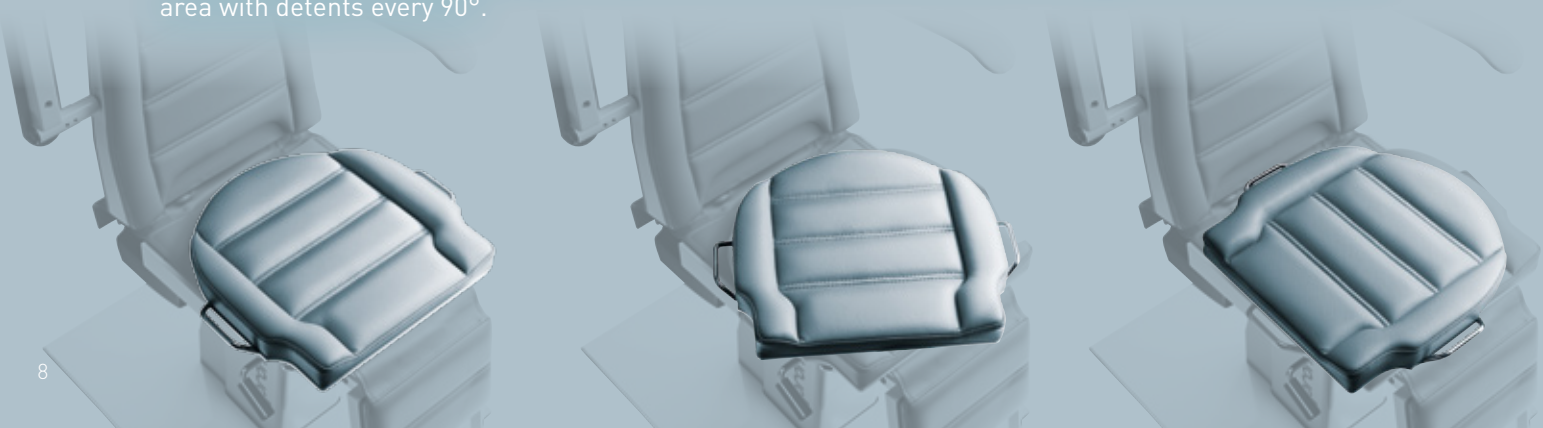
90° clockwise rotation

Integrated foot switch

The foot plate allows practitioner's chair to slide underneath in any position

## Swivel seat area

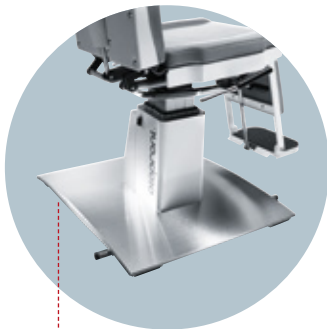
It is also possible to swiftly change the patient's position with the help of an independently swiveling seat area with detents every 90°.





# Mobile mode

The SIT 4 can be fitted with a mobility feature for the treatment of recumbent patients at the ENT workplace as well as for flexible deployment at different sites such as outpatient clinics or hospital wards. Two castors lower from the bottom at the push of a button, enabling the SIT 4 to be pushed smoothly.



**Stainless steel cover**  
Upon request, the base can be fully clad in stainless steel

Activation of mobile mode

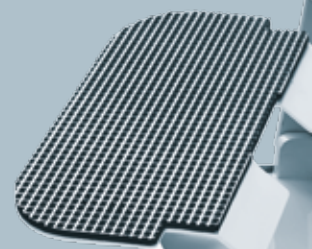


Castors for moving the chair smoothly across the floor

Removable seat cushion with Velcro® fastenings (all models)

The seat cushion can be removed for easy cleaning with the help of Velcro fastenings. The footrest can also be easily detached to be cleaned in the dishwasher.

Removable, dishwasher-safe footrest

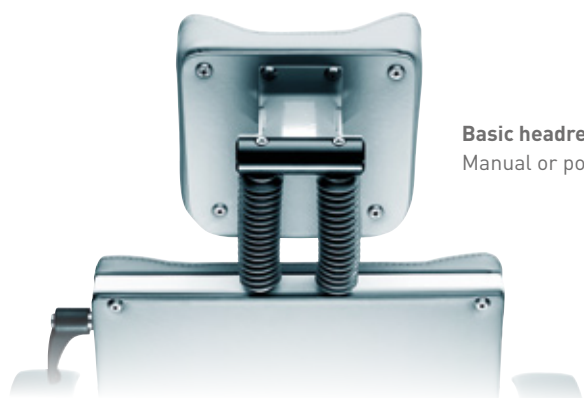


# Headrests

The SIT 4 offers you a choice of two headrests. The **basic headrest** allows swift height adjustment via vertical displacement, with automatic locking.

The alternative **surgical headrest** with three degrees of freedom can additionally be adjusted in its tilt and horizontal position, which makes it particularly suitable for larynx examinations or minor interventions.

An optional power-operated height adjustment feature enables the position of the headrest to be conveniently modified even during treatment. Possible for both the base and the operation headrest.



**Basic headrest**  
Manual or power height adjustment



Power height adjustment

The headrests can easily be replaced or removed for cleaning





**Operation headrest**  
One lever,  
many positions



Operation headrest  
with 3 degrees of freedom

## SIT 4 Eco – reduced to the essentials

The SIT Eco is a stripped-down version of the SIT 4. As a basic model, it features power height adjustment and a tiltable backrest.

The chair can thus meet the daily challenges of a

medical practice. And it stands out visually thanks to its puristic design.

See page 15 for more equipment features.



The footrest can be removed in a single step

# The perfect complement: The BELMONT medical chair

With the combination of pneumatic seat height adjustment from 55 cm to 75 cm and infinitely adjustable backrest the BELMONT can be optimally adapted to the preferences of the user. In addition, the chrome-plated steel components and the synthetic leather upholstery provide optimal hygienic conditions.

**Optionally available foot pedal.**

---

Upholstery available in various colours



# Materials and colours

The upholstery of the SIT 4 is available with **saddle-stitch seams** or with a **smooth surface**. Both versions are extremely hard-wearing, easy to clean, and disinfectant-resistant. The synthetic leather upholstery is available in a wide range of RAL colours, optionally also available

in **genuine leather**. The full range of RAL and metallic colours is available for the chair's lacquered components, with the option of selecting different colours for the upper section, central column and base.



Saddle-stitch seams



Morning grey, with ornamental stitching

Morning grey, smooth leather

Free choice of colours for upholstery and varnish.

Extract from our colour portfolio:

### Upholstery colours



Morning grey



Black



Ivory



Mulberry



Sand



Ocean Blue



Clinic Ice Blue



Jade

### Lacquer colours



3032 Pearl Ruby Red



5026 Pearl Night Blue



9011 Black



6027 Light Green



9010 Pure White



6016 Turquoise Green



9006 White Aluminium



7024 Graphite Grey

For more colours, please see colour portfolio.

# ENT Examination and Treatment Chairs

## Examination Chair SIT 4 Economy

- motor support, foot switch
- stroke 20 cm; adjustable from 51 - 71 cm
- fully rotatable 360° with spring loaded ball stop mechanism
- adjustable headrest and fixed footrest
- fully synthetic leather cover black
- fixed armrest

## Examination Chair SIT 4

- motor support, integrated foot switch
- stroke 20 cm; adjustable from 51 - 71 cm
- fully rotatable 360° with spring loaded ball stop mechanism and lockable
- backrest can be tilted to horizontal position and minus to Trendelenburg position
- adjustable headrest and fixed footrest
- fully synthetic leather cover black
- adjustable armrest

## Examination Chair SIT 4 Plus

- motor support, integrated foot switch
- stroke 20 cm; adjustable from 51 - 71 cm
- fully rotatable 360° with spring loaded ball stop mechanism and lockable
- backrest can be tilted to horizontal position and minus to Trendelenburg position
- simultaneous movement/adjustment of back- and footrest
- fully synthetic leather cover black

## Examination Chair SIT 4 Plus E

- motor support, integrated foot switch
- stroke 20 cm; adjustable from 51 - 71 cm
- motor support for simultaneous movement of back- and footrest
- backrest can be tilted to horizontal position
- rotation 180° left and 180°
- fully synthetic leather cover black

## Examination Chair SIT 4 Plus ER

- motor support, integrated foot switch
- stroke 20 cm; adjustable from 51 - 71 cm
- motor support for simultaneous movement of back- and footrest
- backrest can be tilted to horizontal position
- electric rotation 180° left and 180° right via foot switch
- fully synthetic leather cover black

## Options

- Independently rotating seat 90° left and 90° right
- 30 cm lifting range instead of 20 cm
- Mobility on castors with electric lower and rise function
- Reset button to lowest chair position
- Remote control
- Headrest adjustable in all directions
- Motor support for adjustable headrest
- Tilt protection
- The thickness of the upholstery can be individually adjusted to customer requirements



SIT 4 with leg rest, simultaneous power adjustment of backrest and surgical headrest, height adjustment switches on both sides

# Technical data

## Motor supported height adjustment

- 20 cm (seating height 55-75 cm) / 30 cm (55-85 cm)
- Foot switch integrated into base
- Foot pedal, pneumatic

## Swivel function

- 360° on smooth-running roller bearings, with detents every 90° (option of a locking brake; infinitely variable; operated from both sides) / 350° power operated (via foot pedal or remote control (SIT 4))

## Swivel seat function

- Swivel seat area (90° clockwise, 90° counterclockwise), with handles on the sides

## Operating as a pendulum chair

- Operating as pendulum chair with power swivel function and pendulum programmes via remote control; freely programmable interface; see separate data sheet

## Adjustment range for backrest

- -10° forward tilt, down to 10° beyond the horizontal (shock position), 30° position mark
- Manual operation / power drive

## Simultaneous adjustment and foot plate

- Armrests and leg support move in sync with backrest
- Anatomical seating comfort thanks to infinitely variable backrest adjustment

## Footrest

- Rigid T-support, removable
- Support with simultaneous adjustment of leg cushion and footrest; foldable and removable optional version

## Basic headrest

- Anatomically shaped, height adjustable up to 15 cm, easy to remove

## Surgical headrest

- Height adjustable and can be positioned flat or tilted
- Optional power height adjustment

Subject to technical alterations.

## Upholstery

- Heavy-duty synthetic leather covering
- Disinfectant-resistant
- Removable seat area secured by Velcro®
- With ornamental stitching/smooth surface
- Genuine leather upon request

The thickness of the upholstery can be individually adjusted to customer requirements. If nothing else is specified, the standard upholstery (5,5 cm for the seat and 3.5 cm for the backrest) is being delivered.

## Base cover

- Stainless steel protective rim
- Optional full stainless steel cladding

## Shock position/automatic positioning

- Shock position triggered by emergency switch
- Choice of different work positions via remote control

## Structure

- Stable steel construction with solid base plate
- Double coating of lacquer
- Stainless steel edging and surfaces

## Colours

- Synthetic leather in different colours as per sample chart
- Lacquer finish in RAL colours

## Weight

- 105-120 kg

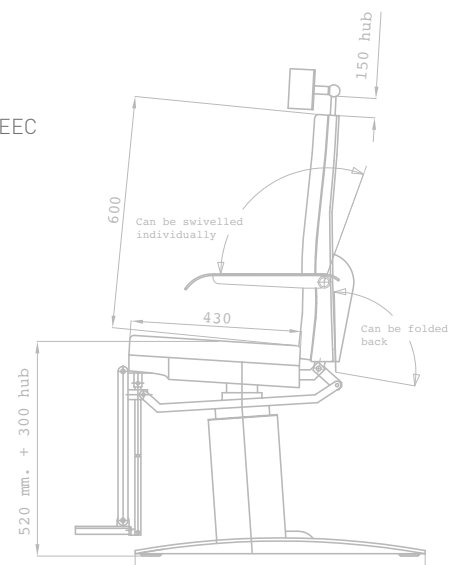
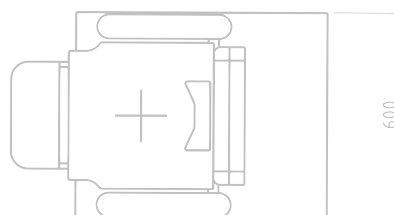
## Voltage supply

- 220-240 V~, 50 Hz, 550 W

## CE marking

- In accordance with 93/42/EEC

See Page 15 for different optional features.



**Happersberger otopront GmbH**  
Medical Equipment Manufacturer  
D-65326 Hohenstein · P.O. Box · Germany  
Tel. +49 6120-9217-0 Fax +49 6120-9217-60  
www.otopront.com · info@otopront.com

**otopront®**